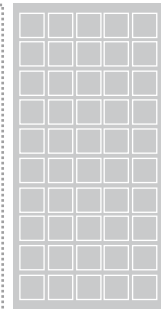
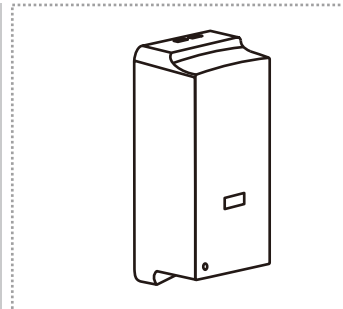
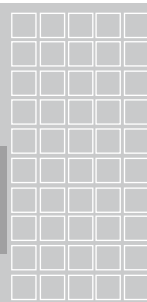
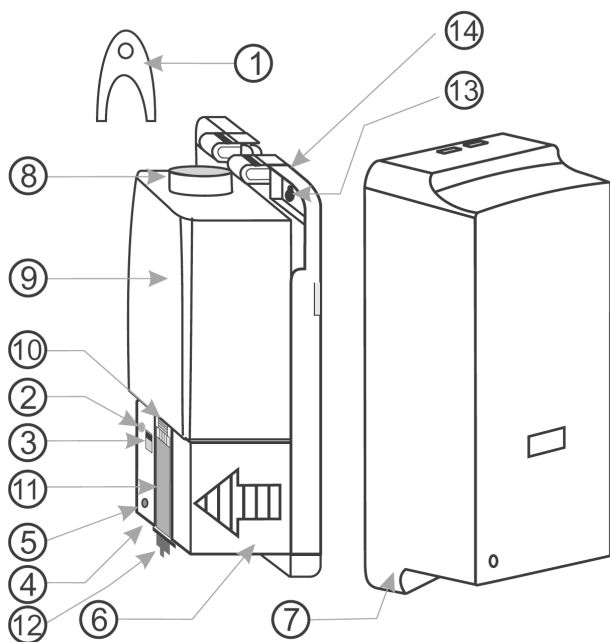


## Installation & Operation Instruction

FFAS8006-010090BF0(WF-8006.010.09)  
AUTOMATIC SOAP DISPENSER

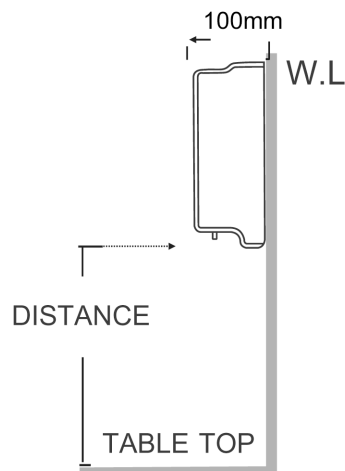
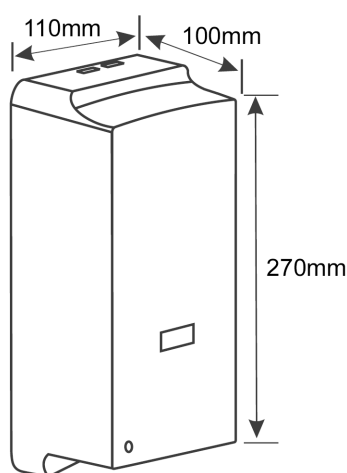


## PARTS LIST

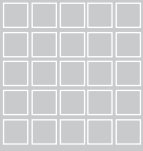


PARTS NO.	DESCRIPTION
1.	SECURITY KEY
2.	ADJUSTER OF SENSING RANGE
3.	SWITCH ( EXCELLENT DESIGN) [POWER TURNS ON AUTOMATICALLY AFTER INSTALLATION OF HOUSING(7)] [POWER TURNS OFF AUTOMATICALLY AFTER REMOVING HOUSING(7)]
4.	SENSOR ASSEMBLY
5.	INDICATOR FOR BATTERY LOW & IN USE
6.	BATTERY ASSEMBLY
7.	HOUSING
CONTAINER ASSEMBLY :	
8.	LID ( WARNING: REMOVE LID AFTER INSTALLATION)
9.	CONTAINER
10.	CONNECTOR between PLASTIC PIPE and container
11.	PLASTIC PIPE
12.	NOZZLE
FOR INSTALLATION:	
13.	TWO HOLES (TO HANG DISPENSER)
14.	BACK PLASTIC PLATE

## SUGGESTED INSTALLATION POSITION



DISTANCE : At least 20 cm for NORMAL TABLE TOP.  
At least 30 cm for STAINLESS STEEL TABLE TOP.  
Otherwise the DISPENSER will keep dispensing.



FFAS8006-010090BF0(WF-8006.010.09)  
AUTOMATIC SOAP DISPENSER

## (1) INSTALLATION GUIDE

( PLEASE REFER TO THE " CONSTRUCTION DIAGRAM" & " PARTS LIST" in the reverse side. )

Please follow the following procedures to install the AUTOMATIC SOAP DISPENSER.

A Nothing is allowed within 20 cm from the NOZZLE (no.12)

B Two options for installation

B1 Hang up the DISPENSER. You can find two holes ( no.13) on BACK PLASTIC PLATE (no. 14)  
or B2 Stick on the wall.

(By using the prepared rubberized fabric on the BACK PLASTIC PLATE ( no. 14)

Warning: Clean the wall before you stick the dispenser .

**AFTER 10 HOURS.** Please continue the following procedures if your options is " B2"

C. Check the BATTERY ASSEMBLY (no. 6)

Are the batteries new and powerful enough? ( Use "C" type ALKALINE BATTERY 1.5V, 3 pcs.)

Are the batteries well-installed?

D. Two options for liquid soap:

D1: Remove the CONTAINER (no. 9). CONTAINER can be replaced by SOAP CARTRIDGE.

( You can find and purchase it from supermarket)

or D2: Remove the LID (no. 8) only, then fill the liquid soap into the CONTAINER (no. 9)

Warning: The viscosity of liquid soap must be : 2,000 ~ 5,000 cps. It is normal liquid soap,

( You can find it in Supermarket.)

After procedure "D 2", please cast away the LID ( no.8)

Or, if you want to put the LID (No. 8) on the CONTAINER ( No.9), please don't turn LID.

too tightly, because flowing air is necessary inside the CONTAINER ( no.9) for dispensing.

E. Check the parts number 10, 11, 12 to make sure their positions are correct.

F. Check the SENSING RANGE . Manufacturer fixed the SENSING RANGE at 6 cm for HANDS ( not for DISHES).

Please don't change the SENSING RANGE.

## (2) USER'S GUIDE

PLEASE REFER TO THE " CONSTRUCTION DIAGRAM" & " PARTS LIST" on the reverse side.

A. Battery operated DISPENSER. Use "C" type ALKALINE BATTERIES 1.5V 3pcs

B. DIMENSION OF DISPENSER 270(H) X 110(W) X 115(D) mm.

C. CAPACITY OF CONTAINER (No.9) 800CC

D. BATTERY LIFE: 10,000 cycles or 1 year.

E. POWER ON AUTOMATICALLY AFTER THE INSTALLATION OF HOUSING(7)

POWER OFF AUTOMATICALLY AFTER THE REMOVING OF HOUSING(7)

F. INDICATOR GREEN SIGNAL LIGHT. It means "IN USE" & " DISPENSING"

FLASHING RED SIGNAL LIGHT. It means BATTERY LOW. To remind you to change BATTERIES  
AS SOON AS POSSIBLE.

G. If DISPENSER does not work, please refer to the INSTALLATION GUIDE and check the following points.

G1 Is There enough liquid soap?

G2 Are the batteries Charged? (Parts no 6)

G3 Is there something within SENSING RANGE?

G4 Are the CONNECTOR OF PLASTIC PIPE (10), PLASTIC PIPE (11) and NOZZLE (12) in their correct positions?

G5 Did you forget to remove the LID (8)?

G6 SENSING RANGE. If the SENSING RANGE is not at 6 cm for HANDS ( not for DISHES).

Please use tiny little screw driver to turn the ADJUSTER OF SENSING RANGE (2) at

CLOCKWISE TO INCREASE THE SENSING RANGE

COUNTER CLOCKWISE TO REDUCE THE SENSING RANGE

REMINDER: MANUFACTURER FIXED THE SENSING RANGE AT 6CM FOR HANDS ( NOT FOR DISHES )

Do Not change sensing range.

H. If you would like to remove the DISPENSER. Please take out the batteries and put the

LID on the container tightly to stop dispensing.

I. BEST DESIGN

You can remove and rinse the container assembly if parts no. 9,10, 11 or 12.  
were blocked by something.



**Attention Installer:**  
**Leave this information to the customer**  
**after installation is complete**

*American Standard*