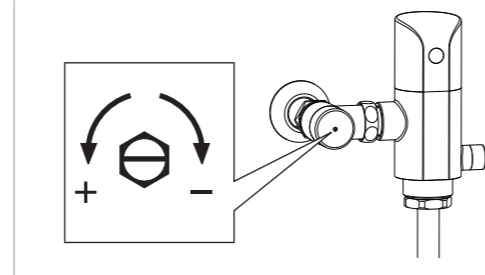


3 Adjustment of Sensor Distance

- * Disconnect the signal circle on the battery holder and connect it again after a while.
- * When the detective light flashes, stretch the hand in the detective zone 30~50mm; until the detective light stops flash and continues to be on, put the hand in the detective distance (such as 900MM); after the detective light is off, put your hand out of the detective distance. At this time, if you have set the detective distance and test it ok, it can work normally.

4 Adjustment of Stop Valve



Trouble Shooting Guide

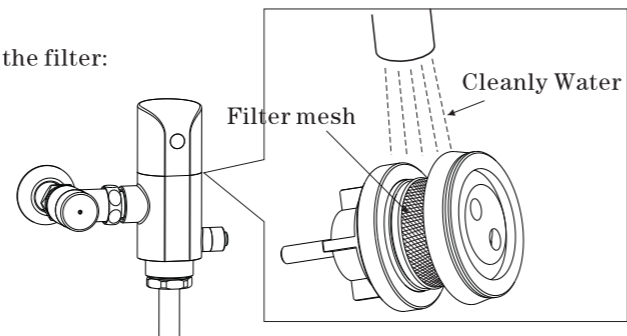
Problem	Reason	Correction
No Detection No Flow	No battery or the battery installed wrong	Install battery and connection power supply
	Something around the sensor is detected all the time The connection is not connected correctly	Clean the things around the sensor Check the connection
Has detection but no flow	The stop valve is closed	Open the stop valve
	Something around the sensor is detected all the time	Remove something around the sensor
Low water flow	The stop valve is not open entirely	Open the stop valve entirely
	The filters are blocked	Clean the filters
	Low water pressure	Contact with water supply department

Care & Maintenance

Please turn off the inlet valve when any repair is needed. Cleaning the filter:

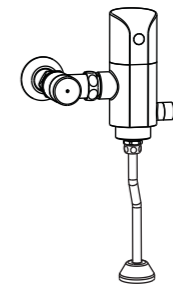
*After using for a long time or the product has just been installed, the flush volume may be very low. In this situation, the filter may need to be cleaned.

1. Turn off water by closing the stop valve;
2. Open the cover and take away the solenoid;
3. Take out the valve with filter and clean;
4. Restore all parts back.



Attention:
Please Leave the manual to the customer after installation is finished.

WF-8833.0P5.50 Selectronic Esposed Sensor Toilet Flush Valve



American Standard

Installation &
Operation Instructions

Thank you for selecting American-Standard - the benchmark of fine quality for over 100 years.
To ensure that your installation proceeds smoothly--please read these instructions carefully before you begin.

* American Standard always keep raising and improving the product design and performance, and reserve the right to modify the dimension and specification. At this case, we will not inform you separately.

* This installation instruction sheet is for your reference only, the dimension and specification is subject to the actual products.

All instruction procedures must comply in strict accordance with applicable local plumbing and building codes

Pre-Installation Checks

Note:

1. The one who installs must be qualified;
 2. To prevent clogging the flush valve, please clean all the impurity in the supply pipe before installing;
 3. Please double check the rough dimension in site;
 4. Do not attack the sensor.
 5. Do not install in a place that sunlight or other light source may enter or be reflected into sensor.
 6. Do not hang any reflectible objects (e.g. Mirror, stainless steel) or install light/electronic sensor such as toilet flushing sensor on the opposite wall
 7. Do not install sensor near a place with strong ultraviolet or electromagnetism.
 8. This flush valve is designed for use with potable water.
- Don't use contaminants water, acid/alkali water, impure water and sea water.

Condition of usage:

1. Water Pressure : 0.05Mpa-0.75Mpa
2. Environmental temperature: 1°C-55°C
3. Water temperature: 1°C-45°C

Recommended Tools and Materials



Pipe wrench



adjustable wrenches

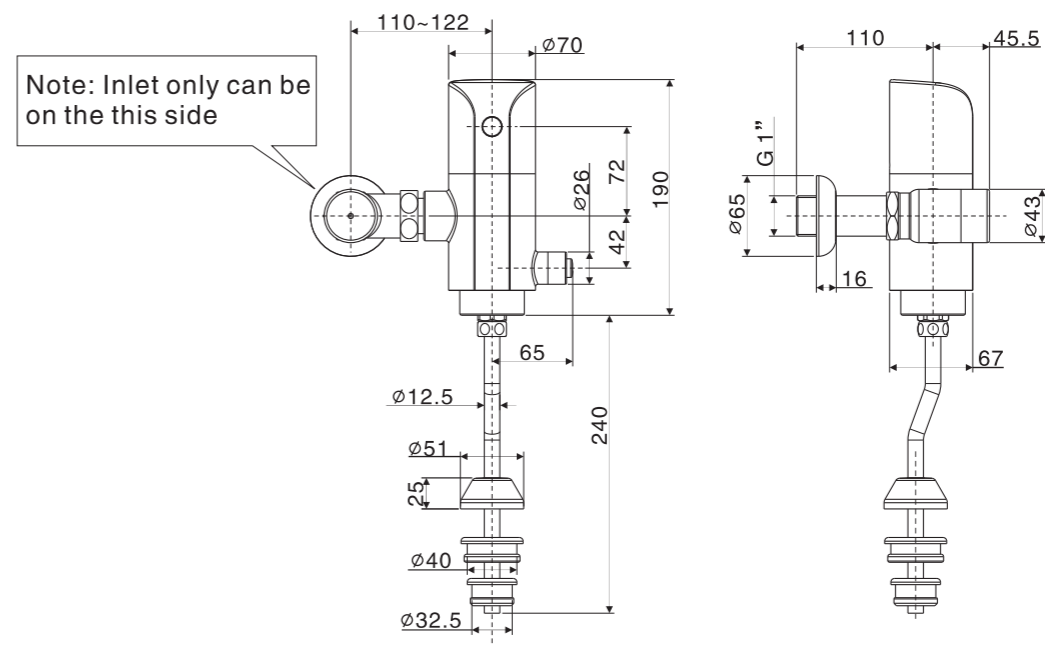


Screw driver

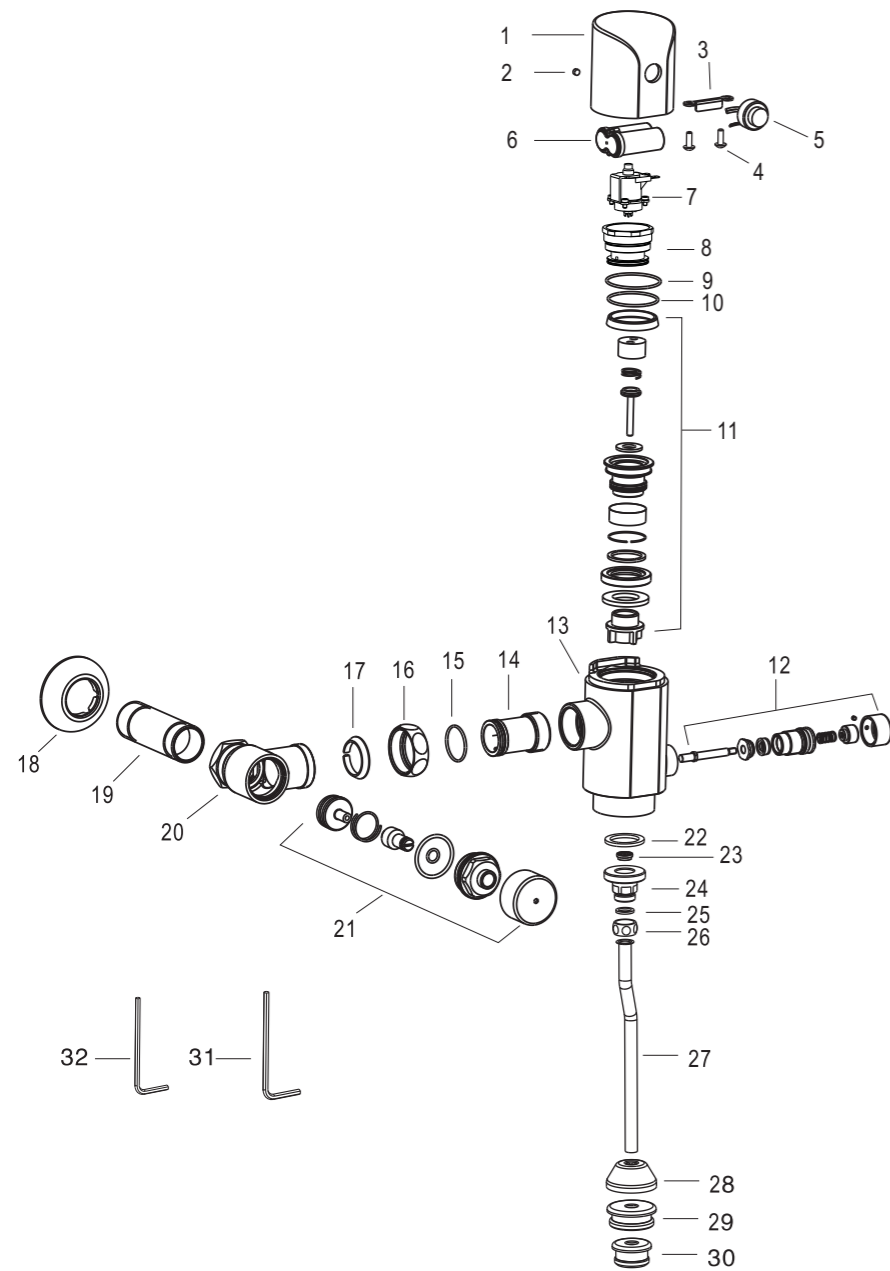


Seal tape

Dimension



Parts List



Parts List

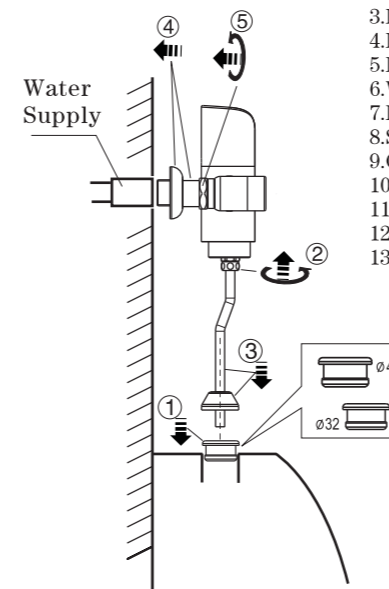
No.	Part Name	Q'ty
1	Top	1
2	Screw	1
3	Holder	1
4	Screw	2
5	Sensor	1
6	Battery Box	1
7	Solenoid Valve	1
8	Nut	1
9	O-Ring	1
10	O-Ring	1
11	Filter	1
12	Button	1
13	Body	1
14	Connect Pipe	1
15	O-Ring	1
16	Nut	1
17	Washer	1
18	Escutcheon	1
19	Inlet hose	1
20	Body	1
21	Check Stop Valve	1
22	Washer	1
23	Washer	1
24	Nut	1
25	Washer	1
26	Nut	1
27	Outlet pipe	1
28	Escutcheon	1
29	Washer (40)	1
30	Washer(32)	1
31	In-hex Wrench (2.5mm)	1
32	In-hex Wrench (1.5mm)	1

Specification

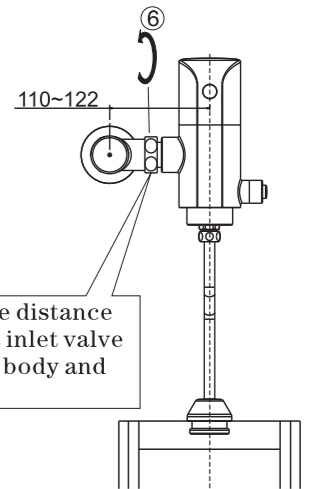
Product	CF-8833.0P5.50
Power	6V lithium battery
Sensor type	Infrared
Operate tiem	≥ 3S
Detection Distance	400~800mm, Default Distance 400mm (Kodak Gray Card, distance may be different for different color clothes)
Pressure Requirement	0.1Mpa ~ 0.75Mpa
Inlet Pipe	G1"
Outlet pipe	D12.5
Environment Temperaure	1°C ~ 55°C
Self-clean	Flush 1.5 seconds when no use for 24 hours
Water Saving Function	When the using frequency less than 2 seconds, it will flush every 2 minutes

Installation

1 Install Body



1. Set up piping according to the dimension in Page 1;
2. Clear the impurity in the pipe;
3. Put gasket into the inlet hole of the urinal;
4. Put outlet pipe through the escutcheon;
5. Put outlet pipe into the gasket;
6. Wrap seal tape around the threads in part 19#;
7. Put part 19# through the escutcheon 18#;
8. Separate inlet valve and main body;
9. Connect inlet valve and pipe 19#;
10. Connect main body;
11. Adjust the distance between inlet valve and main body and lock;
12. Connect outlet pipe and the main body;
13. When the water supply is available, go for testing.

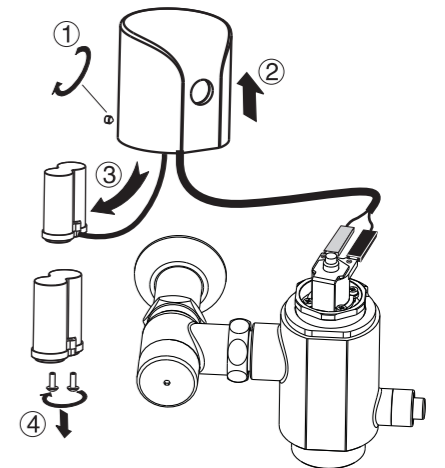
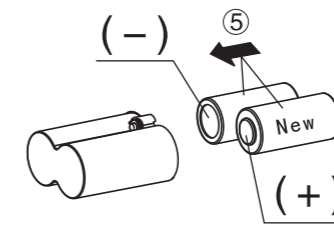
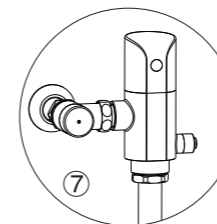


Adjust the distance between inlet valve and main body and lock;

2 Install battery

Battery has been installed in the battery case, the flush valve can be used when finish installing. When the sensor blink, it reminds that the battery must be changed. Battery change as below steps:

1. Unscrew the screw in the back of the cover;
2. Take away the cover from main body;
3. Take out the battery case from the cover;
4. Open the battery and replace with new battery;
5. Restore all parts;



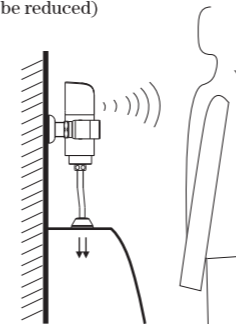
Test / Usage

1 Test

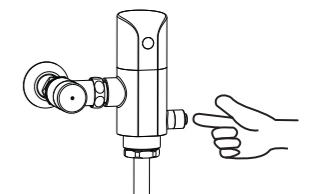
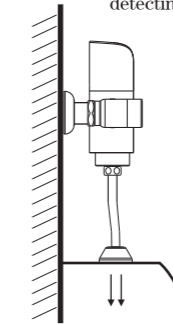
1. Apply water supply, check if any leakage
2. Go for testing

2 Usage

1. Stand at detecting zone within less than 40cm for more than 3 seconds, it will flush for 1.5 seconds (For some dark color clothes, the detecting distance may be reduced)



2. seconds after leaving from the detecting zone, it will flush 8 seconds.



* Toilet flush valve has the manual flush function. When the switch is pressed by hands for about 3 seconds, flush valve will flush once and then stand by.