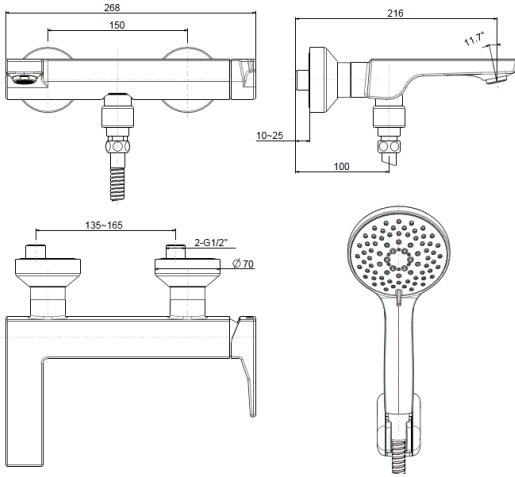




• Installation (Unit : mm)



Cartridge	35# Ceramic Disc Cartridge
Hose	G1/2" 1.5m twist free shower hose
Water pressure	0.05Mpa ~ 0.75Mpa
Recommended Water pressure	0.1Mpa~0.5Mpa
flow rate at3bar	0.37L/s
Body Material	Brass
Handle Material	Zinc
Surface (Body & Handle)	Chrome plated
Origin of Country / Lunning date	-----

Detail parts: Body, Cartridge, Handle , Hand Spray
Aerator, Shower hose, etc.

Inner Box size (mm) : 275 x 165 x 165

Carton size (mm) : 535 x 355 x 290

Q'ty / Box: 6pcs

Product weight :

Surface Treatment : Ni>=5.0u, Cr>=0.2u

Life cycle cartridge : 500,000 cycle

1. Cast Brass Body , Chrome Plated
2. Zinc Die Casting handle ,Chrome Plated
3. 35# Ceramic Disc Cartridge (Germany)
4. Neoperl Exposed Aerator (W/ SCL)
5. 5 Functions hand shower
6. 1.5m twist free shower hose

