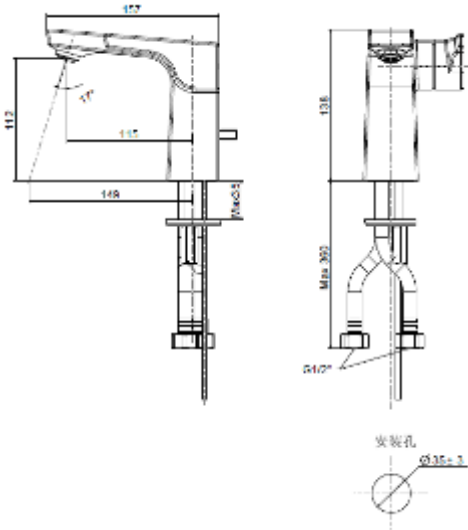




• Installation (Unit : mm)



Cartridge	35# Ceramic Disc Cartridge
Hose	G1/2" 450mm Flexible Hose
Water pressure	0.05Mpa ~ 0.75Mpa
Recommended Water pressure	0.1Mpa~0.5Mpa
flow rate at 1bar	3.2L/m
Body Material	Brass
Handle Material	Zinc
Surface (Body & Handle)	Chrome plated
Origin of Country / Lunning date	-----

Detail parts: Body, Cartridge, Handle ,
Aerator, etc.

Inner Box size (mm) : 340 x 170 x 90

Carton size (mm) : 552 x 354 x 280

Q'ty / Box: 12pcs

Product weight :

Surface Treatment : Ni \geq 5.0u, Cr \geq 0.2u

Life cycle cartridge : 500,000 cycle

1. Cast Brass Body , Chrome Plated
2. Zinc Die Casting handle ,Chrome Plated
3. 35# Ceramic Disc Cartridge (Germany), With ECO function
4. Neoperl Exposed Aerator 2.2GPM (W/ SCL)

