

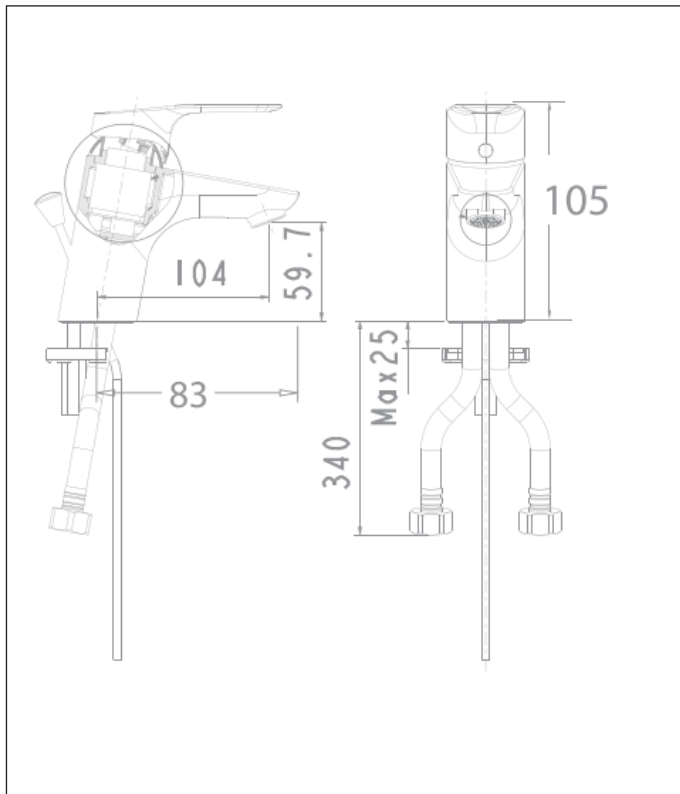
CYGNET

Cygnnet One Hole Lava Faucet

WF-0301



DIMENSIONAL DRAWING



SPECIFICATIONS

- Chromium plating for durable finish
- German ceramic disc cartridge
- High durability life cycle with smooth effortless handle operation, safety for high burstpressure, and drip-free cartridge.
- Strong brass construction

COLOR AVAILABILITY

- Chrome

AWARDS WON

- N/A

STANDARDS CRITERIA

- N/A

INCLUDED COMPONENTS

- N/A

SHIPPING WEIGHT AND DIMENSIONS

- N/A

Note: Please contact Product Marketing team for latest information before sending to external.

Lưu ý: Vui lòng liên hệ Product Marketing để cập nhật thông tin mới nhất trước khi gửi đến khách hàng.