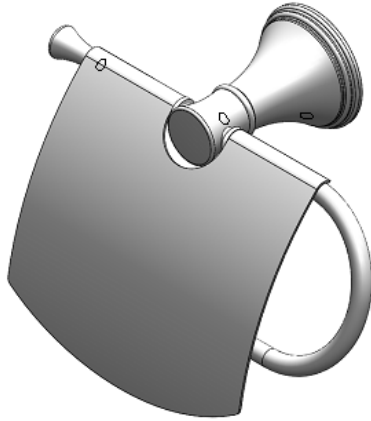


## Tissue Holder

FFAS0287-908500BC0



### FEATURES

- Classic design
- Cast Brass Base, Cover & Pole
- SUS304 screw
- Black box packaging

### SPECIFICATIONS

- Tissue holder
- Chrome Finish

### FINISHES AVAILABILITY

- Chrome (- CP)

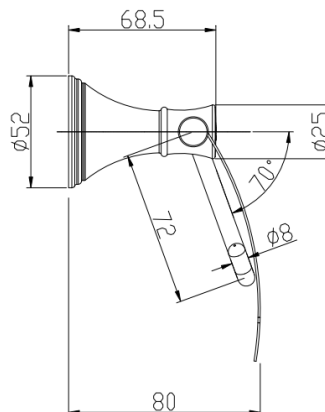
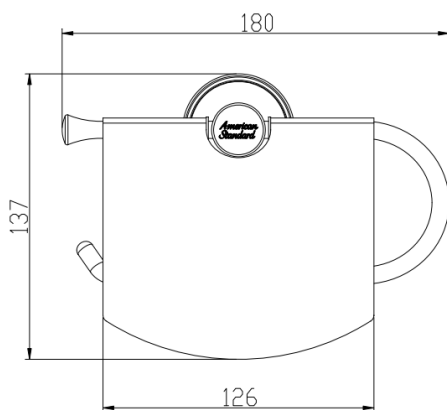
### AWARDS WON

- N/A

### SHIPPING WEIGHT

- Product gross weight: 0.618kg / set
- Product net weight: 0.6kg / set

### DIMENSIONAL DRAWING



### STANDARDS CRITERIA

- QB/T 1560-2017