

## Heritage

FFAS0284-908500BF0

### Cup Holder



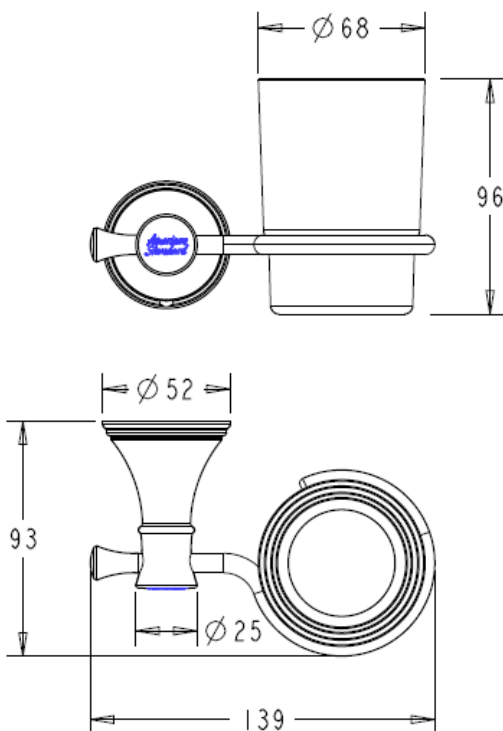
#### STANDARD SPECIFICATION

- Classic design
- Chromium plating for durable finish
- Cast Brass Base & Pole
- Glass Cup, Frosting Finish
- SUS304 Screw
- Black Box Packing
- Load-bearing: 3kg

#### PRODUCT WEIGHT

- 0.55 Kg

#### DIMENSIONAL DRAWING



#### APPLICABLE CODES & STANDARDS:

- QB/T 1560-2006