

IDS

WF-6811

IDS Deck 3-hole Lava



FEATURES

- High quality ceramic valve for longer usage

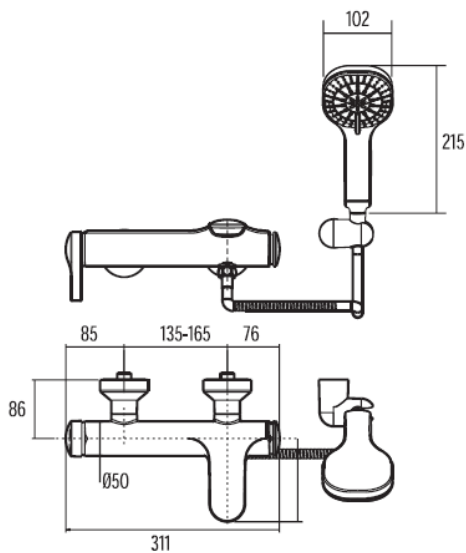
SPECIFICATIONS

- Chromium plating for durable finish
- German ceramic disc cartridge, ceramic cartridge tested = 500,000 times.
- High durability life cycle with smooth effortless handle operation, safety for high burst pressure, and drip-free cartridge.
- Strong brass construction

AWARDS WON

- N/A

DIMENSIONAL DRAWING



SHIPPING WEIGHT AND DIMENSIONS

- N/A

STANDARDS CRITERIA

- N/A

INCLUDED COMPONENTS

- N/A

Note: Please contact Product Marketing team for latest information before sending to external.

Lưu ý: Vui lòng liên hệ Product Marketing để cập nhật thông tin mới nhất trước khi gửi đến khách hàng.

This document is the property of American Standard. It can neither be reproduced, nor communicated, without authorization.

American Standard reserves the right to change dimensions and specifications without notice; we assume no liability for the use of obsolete dimensions.