

## IDS

### WF-6802

IDS SH Lava. Faucet ( Cr)



#### FEATURES

- High quality ceramic valve for longer usage
- A grade brass, strong and durable

#### SPECIFICATIONS

- Chromium plating for durable finish
- German ceramic disc cartridge, ceramic cartridge tested = 500,000 times.
- High durability life cycle with smooth effortless handle operation, safety for high burst pressure, and drip-free cartridge.

#### STANDARDS CRITERIA

- N/A

#### SHIPPING WEIGHT AND DIMENSIONS

- N/A

#### INCLUDED COMPONENTS

- N/A

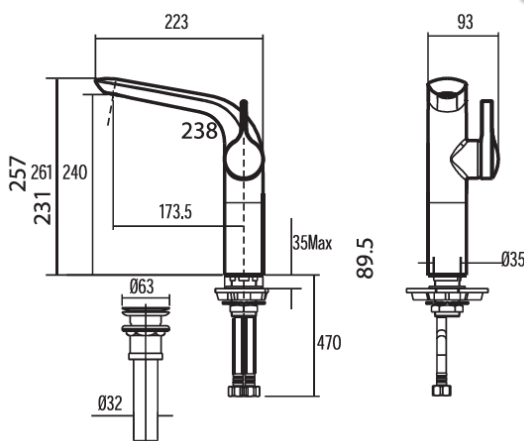
#### AWARDS WON

- N/A

#### FINISHES AVAILABILITY

- Chrome (-CP)

#### DIMENSIONAL DRAWING



Note: Please contact Product Marketing team for latest information before sending to external.

Lưu ý: Vui lòng liên hệ Product Marketing để cập nhật thông tin mới nhất trước khi gửi đến khách hàng.