

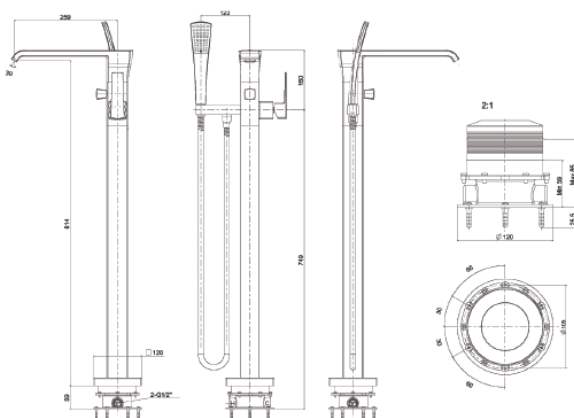
Nobile

WF-0616

Nobile Floor Standing Bath Filler Single



DIMENSIONAL DRAWING



FEATURES

- Design: Modern design
- High quality ceramic valve for longer usage

SPECIFICATIONS

- Chromium plating for durable finish
- German ceramic disc cartridge, ceramic cartridge tested = 500,000 times
 - High durability life cycle with smooth effortless handle operation, safety for high burst pressure, and drip-free cartridge.
- Strong brass construction

STANDARDS CRITERIA

- N/A

AWARDS WON

- N/A

FINISHES AVAILABILITY

- Chrome (-CP)

INCLUDED COMPONENTS

- N/A

SHIPPING WEIGHT AND DIMENSIONS

- N/A

Note: Please contact Product Marketing team for latest information before sending to external.

Lưu ý: Vui lòng liên hệ Product Marketing để cập nhật thông tin mới nhất trước khi gửi đến khách hàng.