

Nobile

WF-0611

Neo Nobile Exposed B&S faucet



FEATURES

- High quality ceramic valve for longer usage

SPECIFICATIONS

- Chromium plating for durable finish
- German ceramic disc cartridge, ceramic cartridge tested = 500,000 times
- High durability life cycle with smooth effortless handle operation, safety for high burst pressure, and drip-free cartridge.
- Strong brass construction

AWARDS WON

- N/A

STANDARDS CRITERIA

- N/A

FINISHES AVAILABILITY

- Chrome (-CP)

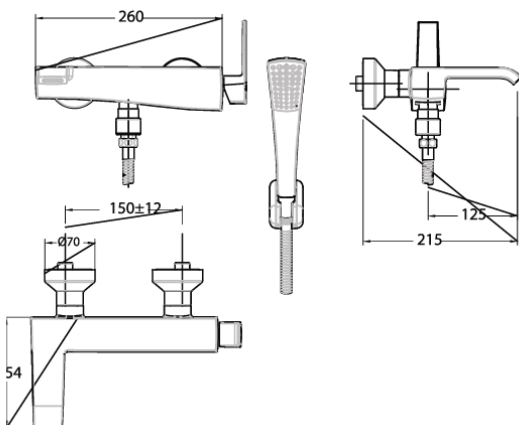
INCLUDED COMPONENTS

- N/A

SHIPPING WEIGHT AND DIMENSIONS

- N/A

DIMENSIONAL DRAWING



Note: Please contact Product Marketing team for latest information before sending to external.

Lưu ý: Vui lòng liên hệ Product Marketing để cập nhật thông tin mới nhất trước khi gửi đến khách hàng.