

## Concept Sphere

Wall Hung Lavatory

TF-0552



### FEATURES

- Easy to clean
- Overflow hole on back position

### SPECIFICATIONS

- Faucet Drillings: Single / T4" / T8"
- Basin Dimensions: W460\*L548\*H145 mm.
- Material: Vitreous China

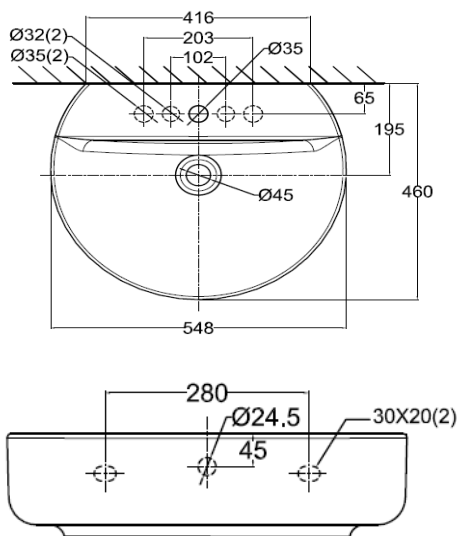
### COLOR AVAILABILITY

- White (WT)

### INCLUDED COMPONENTS

- Overflow ring
- Wall Fixing
- Installation manual

### DIMENSIONAL DRAWING



### SHIPPING WEIGHT

- Net Weight: 16.2 KGs.
- Gross Weight: 18 KGs

### STANDARDS CRITERIA

- TIS Standard
- EN Standard
- ASME Standard

