

Seva

American Standard

Basin Mixer W/O PUW
FFAS6501-111500BF0



FEATURES

- A grade brass, strong and durable
- High quality ceramic valve for longer usage
- Ceramic cartridge tested = 500,000 times
- Neoperl aerator 2.2 GPM
- Without pop-up drain
- With normal packaging
- Flow rate @ 0.1MPa: 3.1 L/min for spout

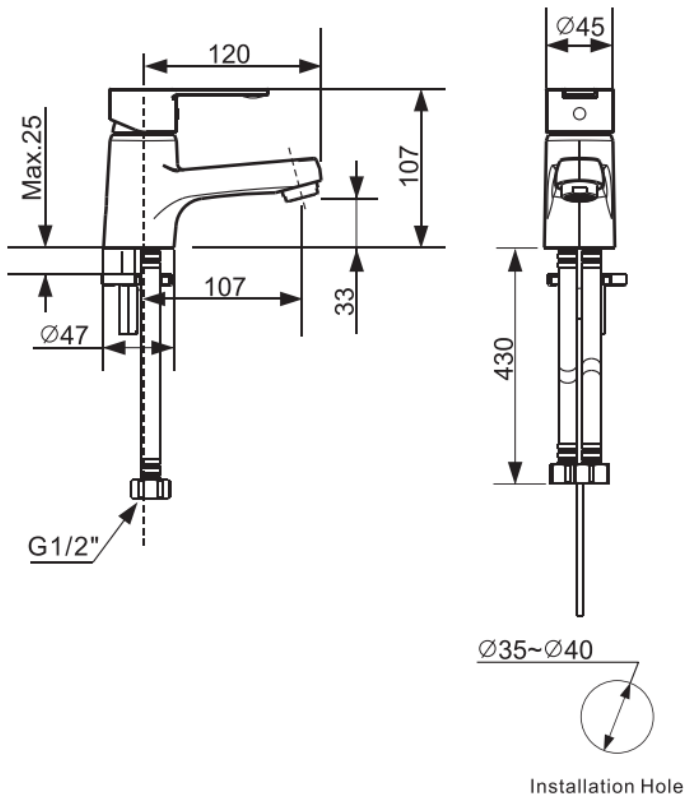
SPECIFICATIONS

- Lever handle (cold & hot)
- Spout reach: 107 mm
- Spout height: 33 mm

FINISHES AVAILABILITY

- Chrome (- CP)

DIMENSIONAL DRAWING



AWARDS WON

- N/A

SHIPPING WEIGHT

- Product gross weight: 1.4kg /set
- Product net weight: 1.2kg /set

STANDARDS CRITERIA

- TIS 2067-2552
- GB 18145-2014