

Signature

American Standard

Single Hole Basin Mixer with Pop-up Drain

FFAS1701-1015L0BC0



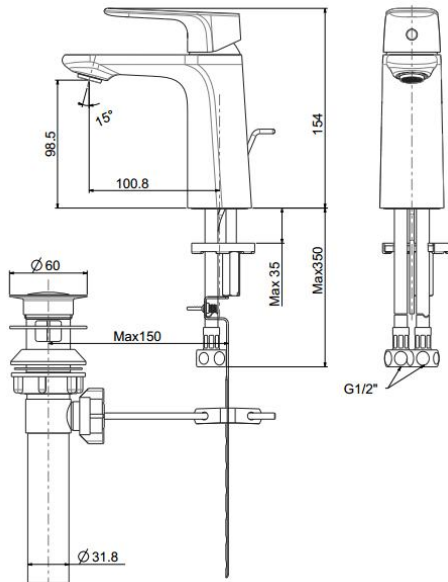
FEATURES

- Low lead brass, strong and durable
- Grohe High quality ceramic valve for longer usage
- Ceramic cartridge tested = 500,000 times
- Neoperl aerator PCA 1.5 GPM
- With pop-up drain
- With normal packaging
- Flow rate @ 0.1MPa: 4 L/min

SPECIFICATIONS

- Basin mixer faucet
- 1-hole installation: lever handle (cold & hot)
- Spout reach: 100.8 mm
- Spout height: 98.5 mm

DIMENSIONAL DRAWING



FINISHES AVAILABILITY

- Chrome (- CP)

AWARDS WON

- N/A

SHIPPING WEIGHT

- Product gross weight: 1.842kg /set
- Product net weight: 1.634kg /set

STANDARDS CRITERIA

- GB 18145-2014
- TIS 2067-2552