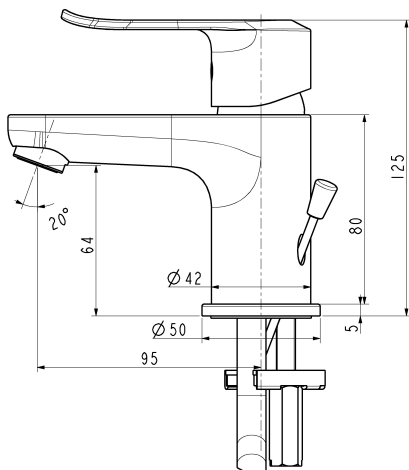


Neo Modern

Single Hole Basin Mixer FFAS0701-1T1500BT0



DIMENSIONAL DRAWING



FEATURES

- A grade brass, strong and durable
- High quality ceramic valve for longer usage
- Ceramic cartridge tested = 500,000 times
- Neoperl aerator
- Without pop-up drain
- With normal packaging
- Flow rate @ 0.1MPa: 3.6 L/min for spout

SPECIFICATIONS

- Basin mixer faucet
- 1-Hole Installation: lever handle (cold & hot)
- Spout reach: 95 mm
- Spout height: 64 mm

FINISHES AVAILABILITY

- Chrome (- CP)

AWARDS WON

- N/A

SHIPPING WEIGHT

- Product gross weight: 1.4 kg/set
- Product net weight: 1.25 kg/set

STANDARDS CRITERIA

- TIS 2067-2552
- GB 18145-2014