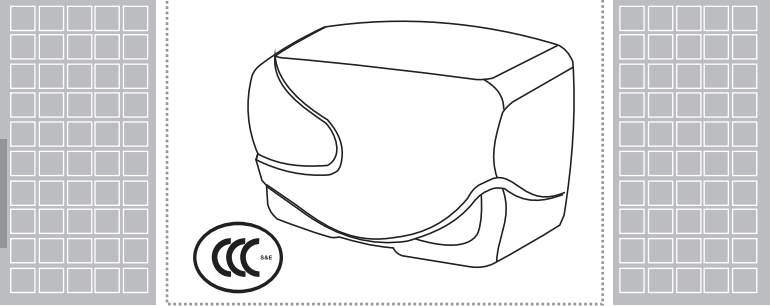


## Installation & Operation Instruction

FFAS8005-010090BF0(WF-8005.010.09)  
Automatic Operation Hand Dryer



### Description

Automatic operation hand dryer.  
Painted cast aluminum.

Designed with 105°C (221°F) thermostat.

Brush assembly: Designed with 87°C (149°F) thermostat.  
141°C thermal cut off.

Approximately 30–35 seconds drying time.

Adjustable sensitive distance of sensor from 10 to 30 cm.

Power cut off automatically in case of irregular use over 120 seconds.

2 vandal-proof lock screws and key wrench.

Dryer shall deliver 273 m/h (160. CFM).

Sound level: 70 ± 3 db.

Drip proof: IPX1

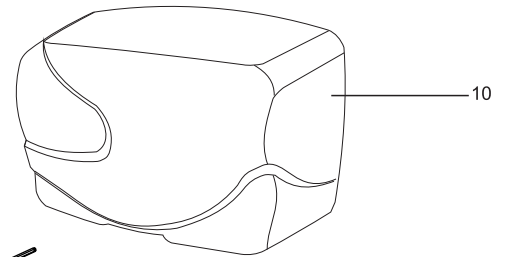
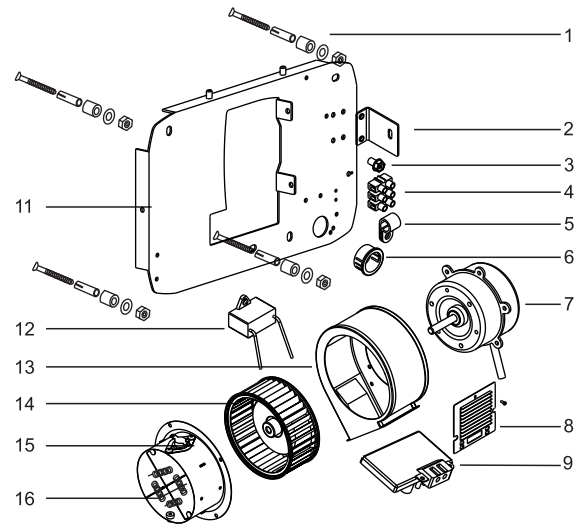
Weight: HK-2200LA- 6.1kgs(13.4 lbs) unpacked; 6.4kgs(14.0 lbs)packed.  
Not for household use.

### Specifications and Dimensions

Model	Volts	Watts	Amps	Electrical Cord	Housing Dimensions-mm(in)		
					L	W	H
FFAS8005-010090BF0 (WF-8005.010.09)	230-240Vac	2200W	10.4A	AWG NO. 16	320(12.6)	220(8.7)	175(6.9)

### Unpacking

After unpacking unit, inspect carefully for damage that may have occurred during transit. Check for loose, missing, or damaged parts. Shipping damage claim must be filed with carrier.



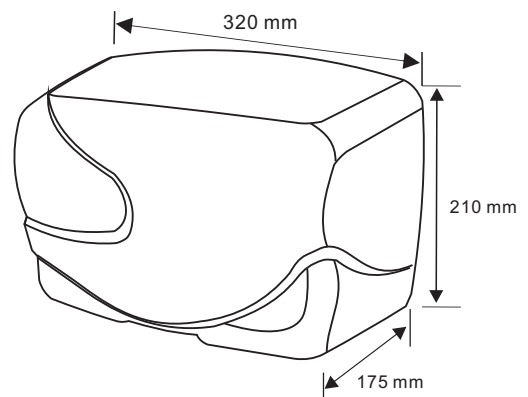
### PARTS LIST

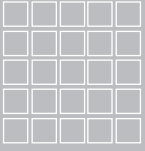
No.	Part Name	Q'ty
1	Screw	4
2	Motor Mounting Bracket	1
3	Screw	1
4	Power Interface	1
5	Wire Fixer	1
6	Protective Ring	1
7	Motor 230Vac	1
8	Air Outlet Guard	1
9	Sensor Assembly	1
10	Enclosure	1
11	Board	1
12	Motor Capacitor 2uf 450Vac	1
13	Fan Enclosure	1
14	Fan Blower	1
15	Thermal Cutoff	1
16	Heater Assembly	1
17	L Key	1
18	Screw	2

### HELPFUL TOOLS

Spanner 10#, Phillips Screwdriver,  
Drill, Sinkers, Aiguille 8mm.

### DIMENSION





## Install

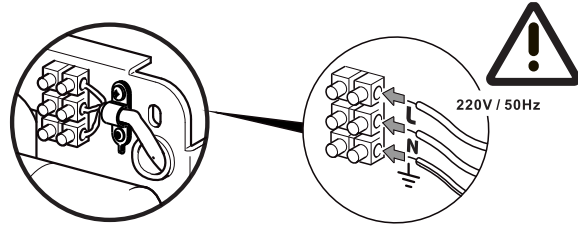
### 1. General Safety Information

- ⚠ WARNING** Disconnect power before installation or servicing.
- ⚠ WARNING** This product intended for installation by a qualified service person. Use A WG NO. 16(1.2mm<sup>2</sup>) solid conductor for wiring.
- ⚠ WARNING** All units must be supplied with a 3-wire service. The ground wire must be connected to the dryer's backplate.
- ⚠ DANGER** Failure to properly ground unit could result in severe electrical shock and/or death.

NOTE: Do not install dryer over washbasin.

### 2. Installation

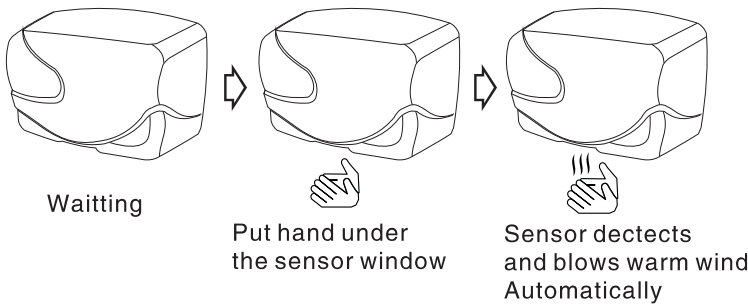
\* Installation steps please refer to installation Card.



Wire Connection

## Use

\* The sketch map for usage mode



## Maintenance

- \* Please clean the Enclosure by soft cloth with neutral cleanser every week at least once.
- \* Don't use other cleansers, such as eradicator, abrasive lipin, acidic and basic cleanser, to avoid damage of surface.
- \* Please make sure the switch voltage is 220V/50HZ.
- \* The part 17(L key) is an installation and repair tool kit. Please keep this part in case there is a need for repair.

## Trouble Shooting

Symptom	Corrective Action
Blower motor stops running	Turn off power to the dryer at electrical panel. Remove cover. Check all wiring connections from terminal board to the motor. Check blower wheel and spin to make sure it rotates freely: Look for objects blocking the free movement. Replace cover and turn on power of the hand dryer. If motor fails to start, have a qualified electrician check the Push-On-Switch, thermostat, motor and capacitor for proper operation. Replace if necessary.
Dryer blows cold air	Turn off power unplug the unit. Remove cover. Check all wiring connections to make sure all terminals are firmly mounted in place and the wire insulation is in good condition. Have a qualified electrician check the thermal cut off and heating element. Replace cover, turn on power of the hand dryer. If dryer continues to blow cold air, replace defective thermal cut off and/or heating element.
Dryer does not respond to hand movement	Make sure power is on and available to the unit. Place hands under sensor. A clicking sound indicates sensor is functioning properly. No clicking sound would indicate a bad sensor and/or contactor. Replace if necessary.
Dryer will not shut off or will not run for a complete cycle	Replace timer assembly



**Attention Installer:**  
Leave this information to the customer after installation is complete

*American Standard*

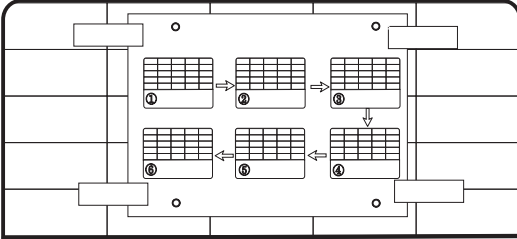
**FFAS8005-010090BF0(WF-8005.010.09)**  
**Installation Instruction Card**

*American Standard*

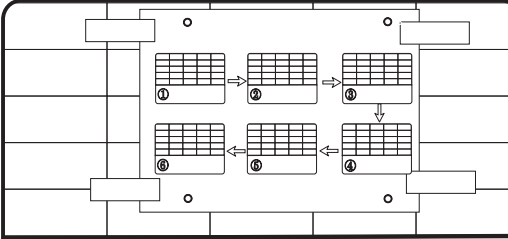
⊕ **A**

This Product is intended for installation by a qualified service person.  
 The wire can support at least 10A Current.

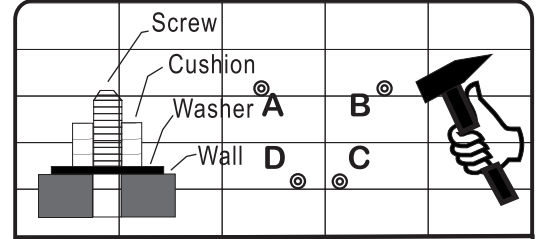
**B** ⊕



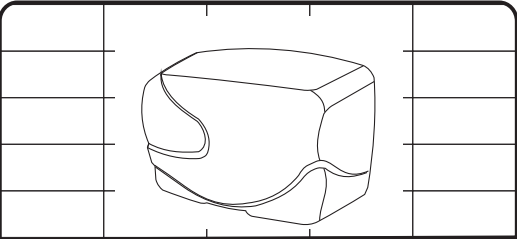
**1** Fix the mounting instruction sheet on the wall. Suitable height for hole "C", "D", is "1300mm" from ground



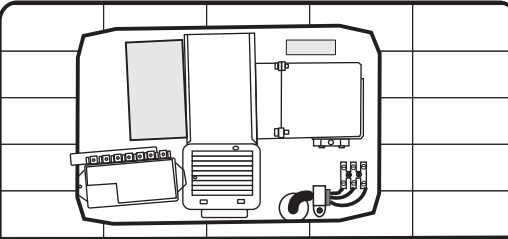
**2** Drill 4 holes (A.B.C.D. 8mm diameter), "35mm" depth.



**3** Take off the mounting instruction sheet. Hammer dowels into 4 holes.

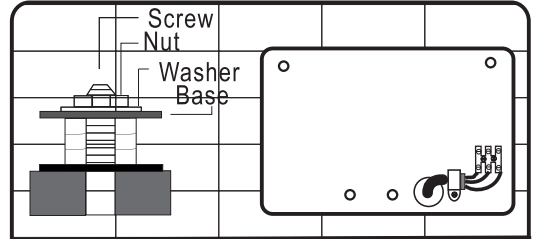


**6** Cover the enclosure and tighten the two sides by screw.



**5**

- \* Connect the live wire (colored red or brown) to the terminal block marked "L".
- \* Connect the neutral wire (colored black or blue) to the terminal block marked "N".
- \* Connect the ground wire (colored green and yellow) to the terminal block marked "⊕".



**4** Put the power cord through the hole of the base plate then secure the base plate onto the wall.



The height for this line is "1300mm" from ground.

