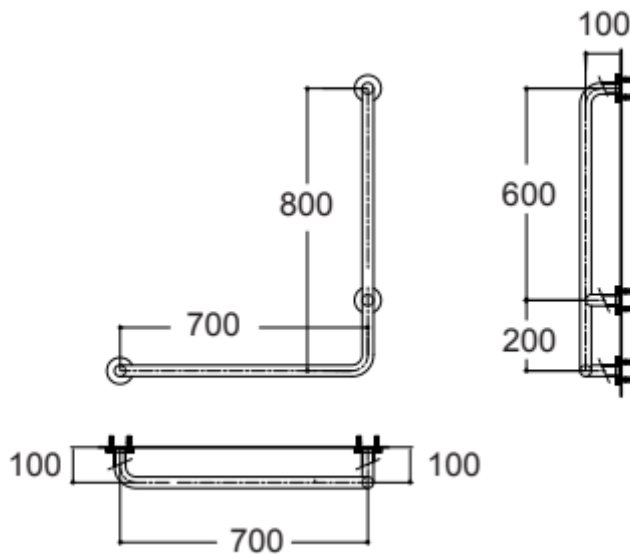


## LshapeL Handrail D32 700x800mm Hairline HR-320570-01L



### DIMENSIONAL DRAWING



### SPECIFICATIONS

- Material: Stainless Steel SUS 304
- Size: 700x800mm
- Chrome plating for corrosion resistance and durable finish.
- Hair Line design

### COLOR AVAILABILITY

- Chrome

### AWARDS WON

- N/A

### STANDARDS CRITERIA

- N/A

### INCLUDED COMPONENTS

- N/A

### SHIPPING WEIGHT AND DIMENSIONS

- N/A

Note: Please contact Product Marketing team for latest information before sending to external.

Lưu ý: Vui lòng liên hệ Product Marketing để cập nhật thông tin mới nhất trước khi gửi đến khách hàng.