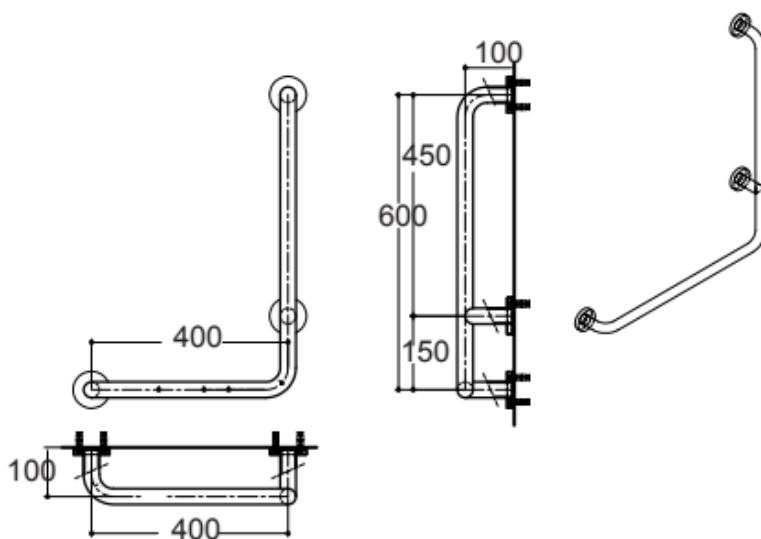


LshapeL Handrail D32 400x600mm Hairline HR-320540-01L



DIMENSIONAL DRAWING



SPECIFICATIONS

- Material: Stainless Steel SUS 304
- Size: 400x600mm
- Chrome plating for corrosion resistance and durable finish.
- Hair Line design

COLOR AVAILABILITY

- Chrome

AWARDS WON

- N/A

STANDARDS CRITERIA

- N/A

INCLUDED COMPONENTS

- N/A

SHIPPING WEIGHT AND DIMENSIONS

- N/A

Note: Please contact Product Marketing team for latest information before sending to external.

Lưu ý: Vui lòng liên hệ Product Marketing để cập nhật thông tin mới nhất trước khi gửi đến khách hàng.