

Genie

American Standard

Hand shower



Face plate part & openable back part:
AquaMarine



Face plate part & openable back part:
Petal Pink



Face plate part & openable back part:
Steel Grey

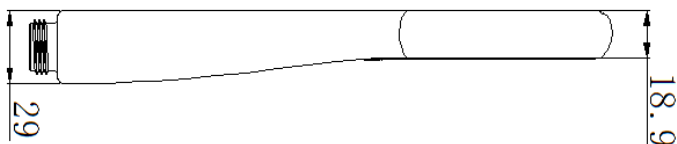
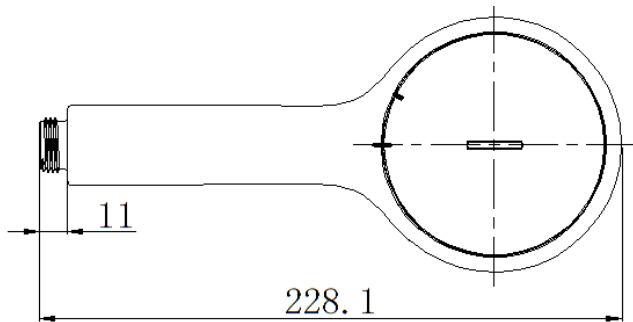
FEATURES

- Enhance water pressure for a full, robust shower experience that's gentle on your skin
- Transparent face plate allows consumers to know if nozzles are blocked
- Easy to open back cover to wipe off any dirt and/or grime build up
- Maintenance key included to open back cover
- Integrated design through dual injection production technique

SPECIFICATIONS

- With 2.5 GPM Neoperl regulator
0.10MPa, $4.2 \text{ L/min} \leq Q \leq 8 \text{ L/min}$
0.30MPa, $Q \leq 9 \text{ L/min}$
- Temperature drop : less than 3°C .
- Under 0.1Mpa, height of spray spouting vertically $\geq 280 \text{ mm}$
- Flow at low pressure: Under 0.05Mpa, flow rate $\geq 4.0 \text{ L/Min}$
- G1/2 thread
- Three colours to select from:
AquaMarine, Petal Pink, Steel Gray

DIMENSIONAL DRAWING



STANDARDS CRITERIA

- AS W110.0406
- GB/T 23447-2009