

Seva

FFAS6582-908500BF0

Soap Dish



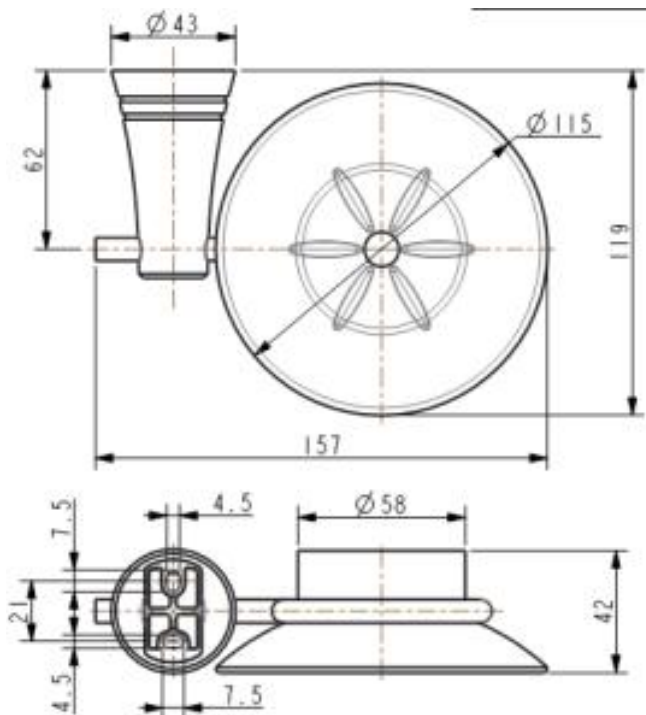
STANDARD SPECIFICATION

- Simple design
- Chromium plating for durable finish
- Zinc Die Casting Base & Pole
- Acrylic Dish
- SUS304 Screw
- Color Box Packing
- Load-bearing: 3kg

PRODUCT WEIGHT

- 0.38 Kg

DIMENSIONAL DRAWING



APPLICABLE CODES & STANDARDS:

- QB/T 1560-2006