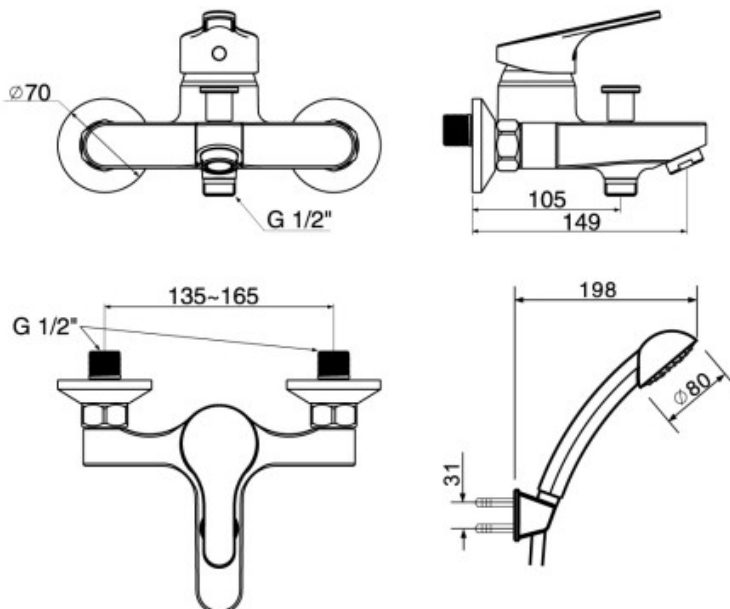


Concept

Exposed Bath & Shower Faucet
WF-1411.601.50



DIMENSIONAL DRAWING



FEATURES

- Part of Concept Collection
- 35 mm Ceramic disc valve for a life time use
- 1.5m tangle free metal hose
- Single function hand shower
- Nickel and chromium plating for durable finish
- Flow Rate @ 0.1 MPa : 10.5 L/Min

SPECIFICATIONS

- Exposed Bath & Shower Mixer
- Wall-mount Installation
- Spout Reach : 149mm

FINISHES AVAILABILITY

- Chrome (- CP)

AWARDS WON

- N/A

SHIPPING WEIGHT

- Product weight: 2.19 kg

STANDARDS CRITERIA

- TIS 2067-2552
- GB 18145-2014