

Saga

American Standard

03-hole lava faucet saga

Vòi chậu 03 lỗ

WF-1502



FEATURES

- A grade brass, strong and durable
- High quality ceramic valve for longer usage
- Ceramic cartridge tested = 500,000 times
- Neoperl aerator 2.2 GPM
- Without pop-up drain
- With normal packaging
- Flow rate @ 0.1MPa

SPECIFICATIONS

- Lever handle (cold & hot)

FINISHES AVAILABILITY

- Chrome (- CP)

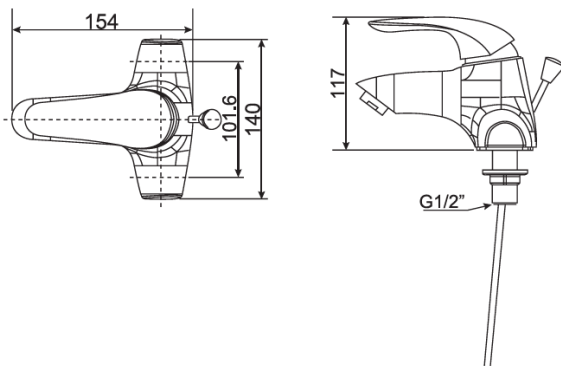
SHIPPING WEIGHT

- Product gross weight: N/A
- Product net weight: N/A

STANDARDS CRITERIA

- TIS 2067-2552
- GB 18145-2014

DIMENSIONAL DRAWING



Note: Please contact Product Marketing team for latest information before sending to external.

Lưu ý: Vui lòng liên hệ Product Marketing để cập nhật thông tin mới nhất trước khi gửi đến khách hàng.