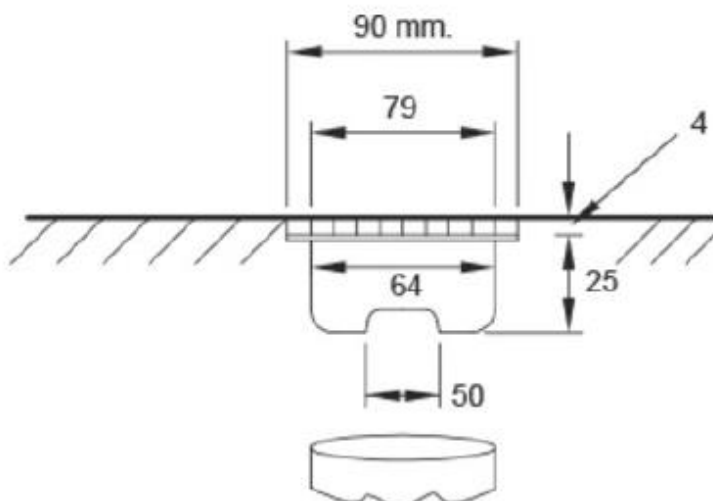


## Floor Drain 4 Round Stainless Steel

A-8201-N



### DIMENSIONAL DRAWING



### SPECIFICATIONS

- Material: Brass Construction
- Size: 90x90mm
- Chrome plating for corrosion resistance and durable finish.

### COLOR AVAILABILITY

- Chrome

### AWARDS WON

- N/A

### STANDARDS CRITERIA

- N/A

### INCLUDED COMPONENTS

- N/A

### SHIPPING WEIGHT AND DIMENSIONS

- N/A

**Note:** Please contact Product Marketing team for latest information before sending to external.

**Lưu ý:** Vui lòng liên hệ Product Marketing để cập nhật thông tin mới nhất trước khi gửi đến khách hàng.