

Winston Plus

Close Coupled Toilet
VF-2396



FEATURES

- Dual Flush Wash Down
- Water Saving
- Semi concealed

COLOR AVAILABILITY

- White only(0)

SPECIFICATIONS

- Flushing Type: Dual Flush 3/6 L
- Push Button: Top push
- Outlet Type: S-trap
- Bowl Shape: Semi Elongated
- Rough in: S-trap 305 mm
- Overall Dimensions: W390*L717*H738mm.
- Height to rim: 360mm.
- Material: Vitreous China

INCLUDED COMPONENTS

- Seat & Cover normal
- Slow closing seat & cover (option)
- Dual tank fitting set
- Installation manual

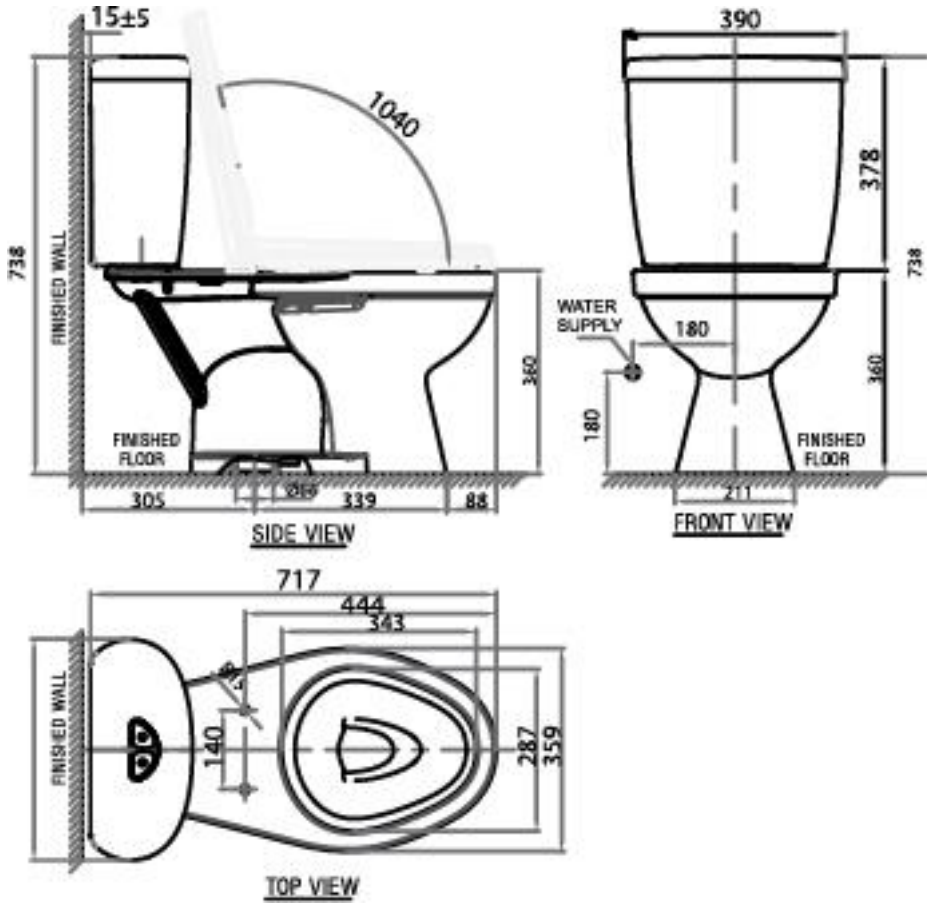
SHIPPING WEIGHT

- Net Weight: 30 KGs
- Gross Weight: 32 KGs.

STANDARD CRITERIA

- TIS-792:2554_2011
- MS 1522-2011
- ASME-A112.19.2-2008
- GB 6952-2005

DIMENSIONAL DRAWING



This document is the property of American Standard. It can neither be reproduced, nor communicated, without authorization. American Standard reserves the right to change dimensions and specifications without notice; we assume no liability for the use of obsolete dimensions.