

Acacia Evolution

One-Piece Toilet

TF-2007



FEATURES

- Double Vortex Wash Down
- Anti – Bacteria on Push Button & Seat & Cover.
- Proguard Technology
- Water Saving
- Rimless
- Easy to Clean
- Slow Closing Seat & Cover

SPECIFICATIONS

- Flushing Type: Dual Flush 2.6/4 Litres per flush
- Push Button: Top push
- Outlet type: P-trap & S-trap with Plastic Connector
- Bowl shape: Elongated
- Roughing in: S-trap 305 mm., P-trap 190 mm
- Overall Dimensions: W376xL740xH654 mm.
- Height to rim: 390 mm.
- Material: Vitreous China

COLOR AVAILABILITY

- White (WT)

INCLUDED COMPONENTS

- Slow closing seat & cover
- Dual tank fitting set
- S-trap connector
- L-shape floor fixing set
- Plastic side cover
- Stop valve
- Installation manual

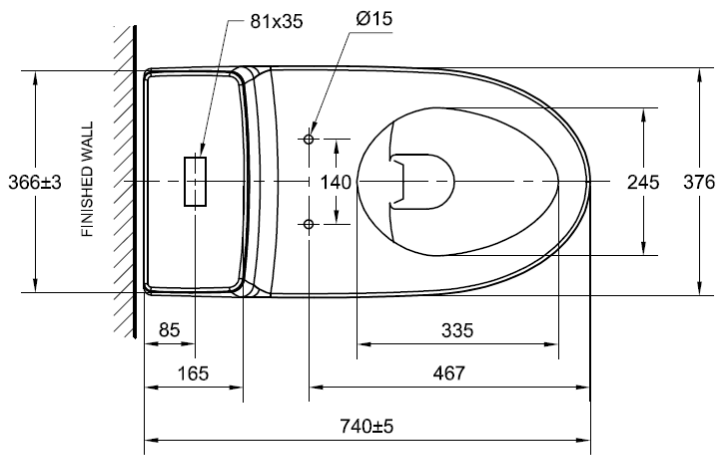
SHIPPING WEIGHT

- Net weight: 49.2 KGs
- Gross weight: 58.7 KGs

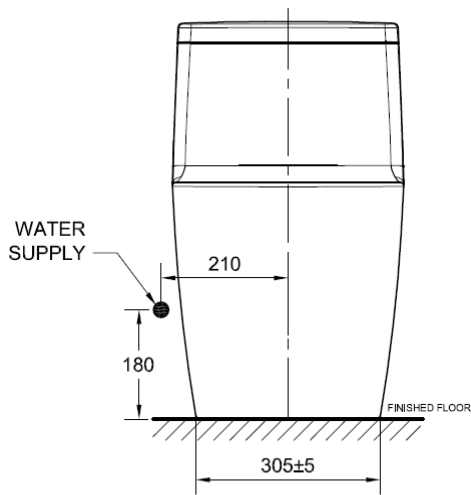
STANDARDS CRITERIA

- TIS-792:2001
- GB 6952-2005
- PNS 156:2010
- MS 1522:2007
- SS 378-1996

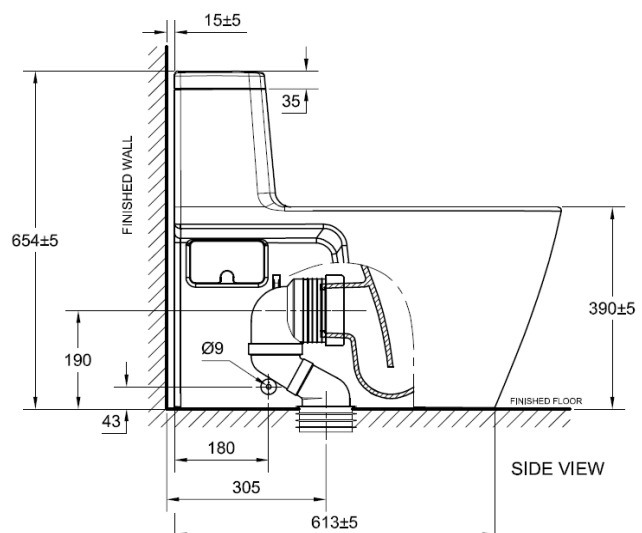
DIMENSIONAL DRAWING



TOP VIEW



FRONT VIEW



SIDE VIEW

This document is the property of American Standard. It can neither be reproduced, nor communicated, without authorization. American Standard reserves the right to change dimensions and specifications without notice; we assume no liability for the use of obsolete dimensions.