

Acacia SupaSleek

Wall Hung Bowl
TF-3119



FEATURES

- Double Vortex Wash Down
- Aqua Ceramic&Comfortclean
- Water Saving
- Rimless
- CrystaSleek Seat & Cover

SPECIFICATIONS

- Flushing Type: Dual Flush 3 / 4.5 L
- Tank Fitting: Concealed cistern
- Outlet Type: P-trap
- Bowl Shape: Elongated Bowl
- Overall Dimensions: W376*L555*H360mm
- Material: Vitreous China

COLOR AVAILABILITY

- White only(0)

INCLUDED COMPONENTS

- Fixation for wall hung
- Installation Manual

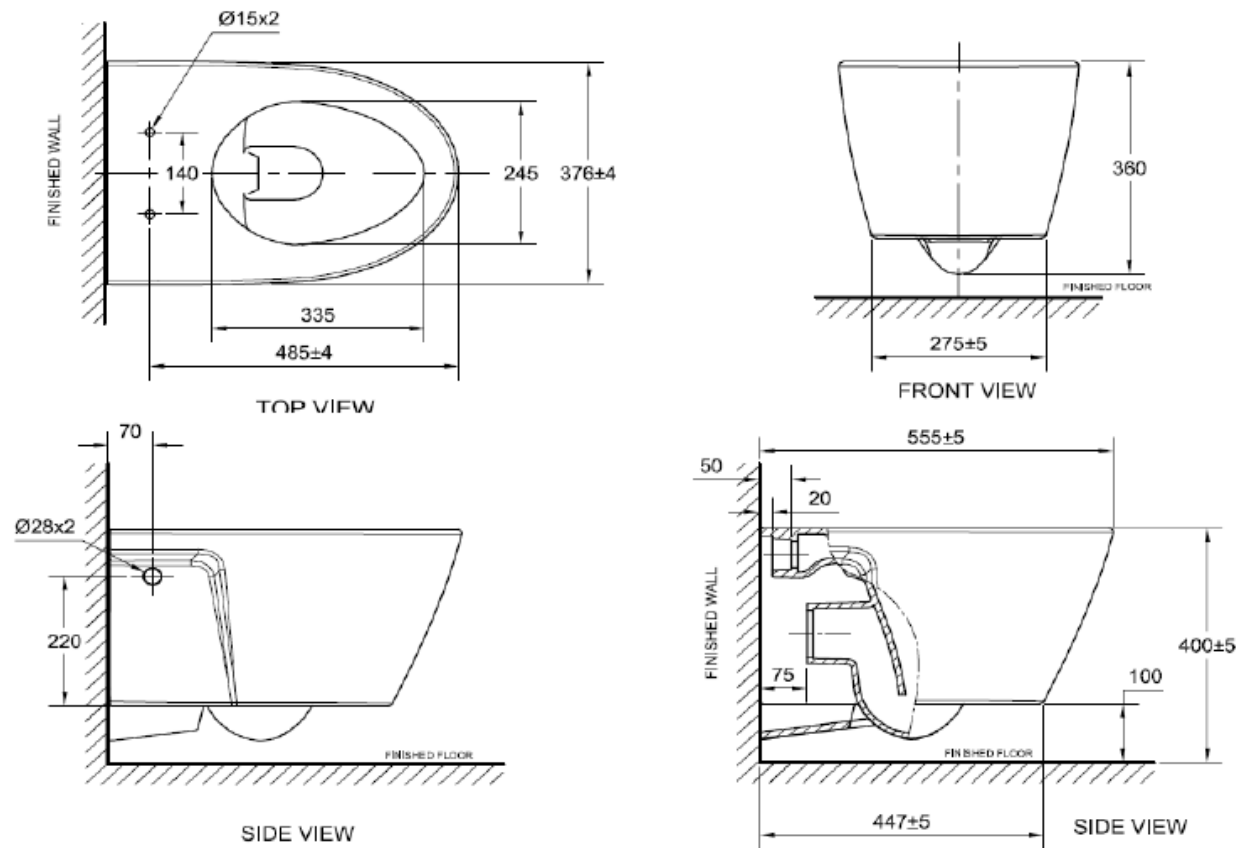
SHIPPING WEIGHT

- Net Weight: 23.21 KGs
- Gross Weight: 25 KGs.

STANDARD CRITERIA

- TIS-792:2554_2011
- PNS-993-2010
- ASME-A112.19.2-2008

DIMENSIONAL DRAWING



This document is the property of American Standard. It can neither be reproduced, nor communicated, without authorization.

American Standard reserves the right to change dimensions and specifications without notice; we assume no liability for the use of obsolete dimensions.